

---

# Ferrites

Ferrites are included in the Agilent Technologies 1670G-series logic analyzer shipping carton for each logic analyzer cable (two pods). When properly installed, the ferrites reduce RFI emissions from the logic analyzer module.

In order to ensure compliance of the Agilent 1670G-series logic analyzer to the CISPR 11 Class A radio frequency interference (RFI) limits, you must install the ferrite to absorb radio frequency energy.

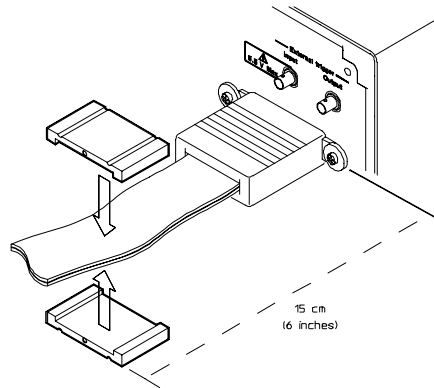
Note: Adding or removing the ferrite will not affect the normal operation of the analyzer.

---

## Ferrite installation instructions

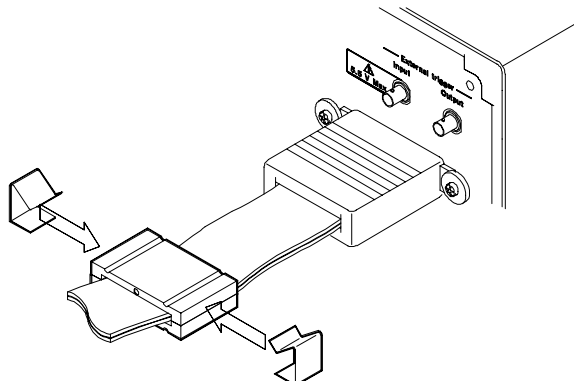
Use the following steps to install the ferrites on the logic analyzer cables.

- 1 Place the ferrite halves on the logic analyzer cable like a clamshell around the whole cable. The ferrite should be no more than 15 cm (about 6 in) from the rear panel of the logic analyzer.



01670e16

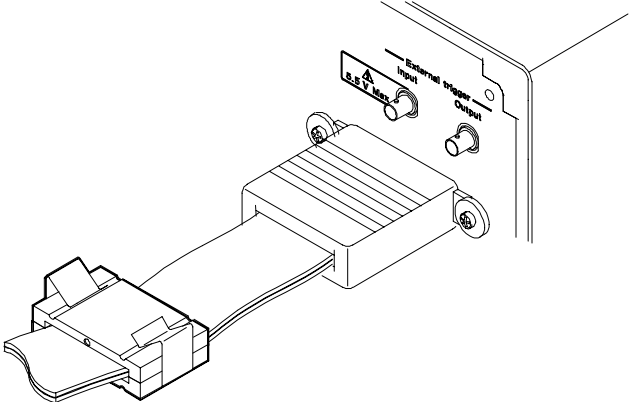
- 2 Insert the clamps onto the ends of the ferrites. The locking tab should fit cleanly in the ferrite grooves.



01670e17

Ferrite installation instructions

When properly installed, the ferrite should appear on the logic analyzer cable as shown.



01670-92002

1998 January 01